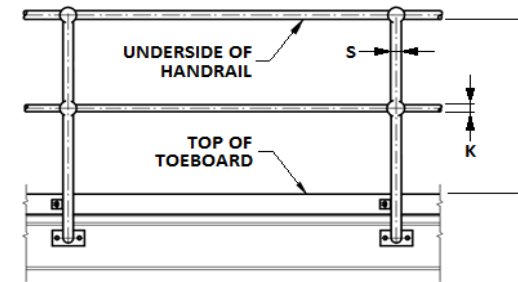


RetroGUARD™ Check Sheet

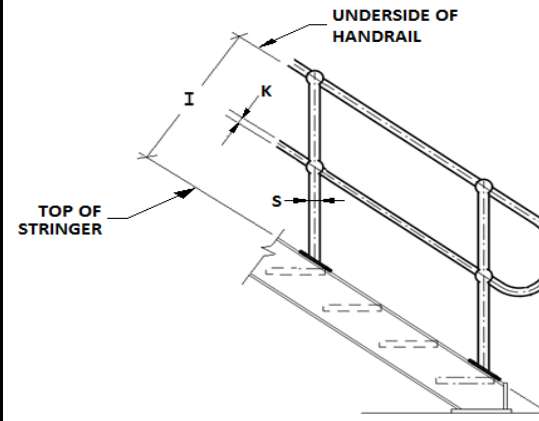
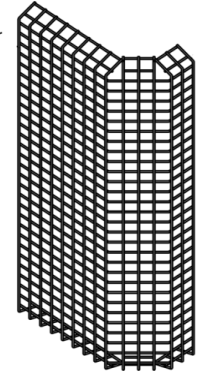
DIMENSIONS:	VALUE:	DESCRIPTION:
H		Handrail Vertical Height
S		Stanchion Diameter,
K		Mid rail Diameter,
I		Stair Handrail Height, right angle to stringer

Component	QUANTITY	DESCRIPTION:
RGI-720		Internal Corner 720 Angle, note 6
C755-90		External Corner 755 high 90deg, note 5
U-SET 50x6.35x710		number of stair runs to be covered
Platform Guarding		Handrail count - stair to platform transition points
Stair Guarding		meters (Platform Handrail Length)
		meters (Stair Handrail Length)

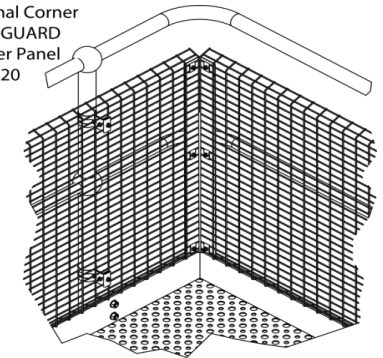
Comments;



External Corner
 RetroGUARD
 Corner Panel
 C755-90



Internal Corner
 RetroGUARD
 Corner Panel
 RGI-720



- Notes:
1. All dimensions in mm unless noted otherwise.
 2. Make multiple measurements, then determine average dimensions above.
 3. Dimensions S & K average to 0.5mm.
 4. Required total lengths for Platform and Stair Handrailing to be shown separately.
 5. C755-90 is for external corners of 90 degree or combine for 180 degree returns
 6. RGI-720 is for internal corners only